

RHINO-RACK®

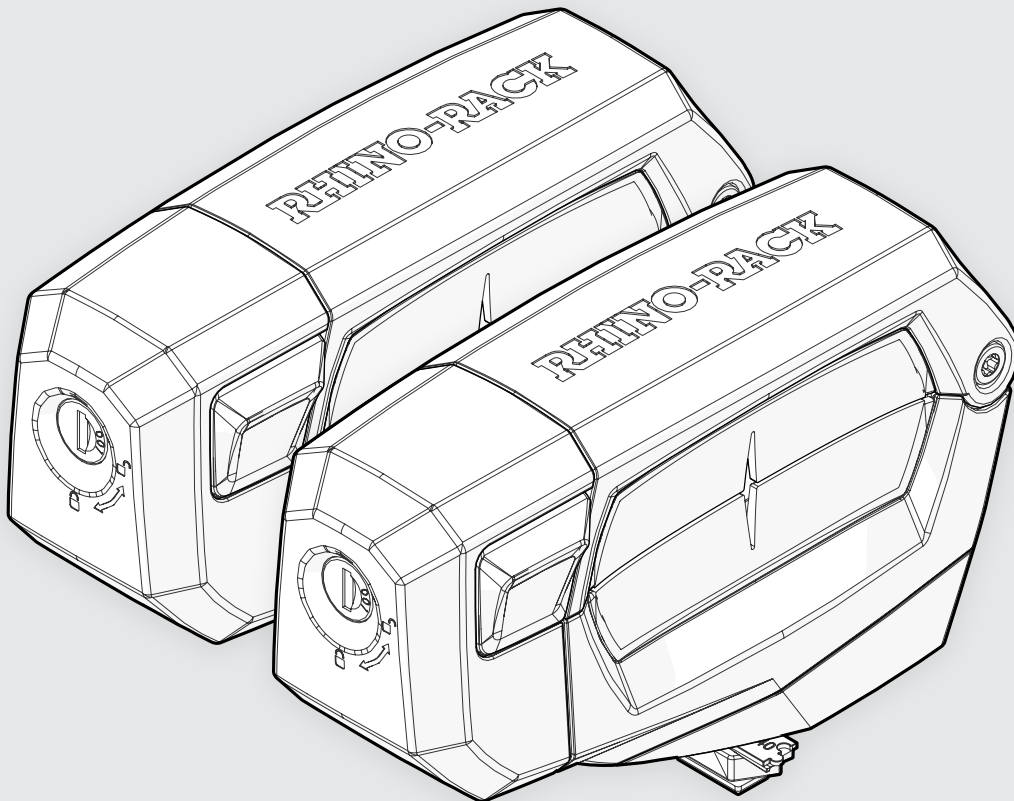
Large Utility Holder LSIT

Important:

1. Check the Rhino-Rack website to ensure you have the latest issue of these instructions.
2. Please refer to your fitting instruction to ensure that the roof racks are installed in the correct locations.
3. Check the contents of kit before commencing fitment and report any discrepancies.
4. Place these instructions in the vehicle's glove box after installation is complete.
5. These instructions must be followed for warranty to be upheld.

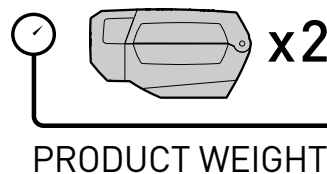
Fit Time: 15 mins

STOW IT™



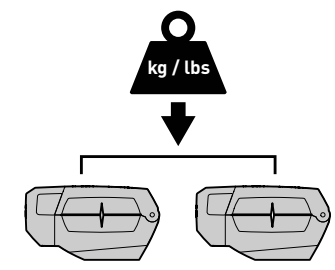
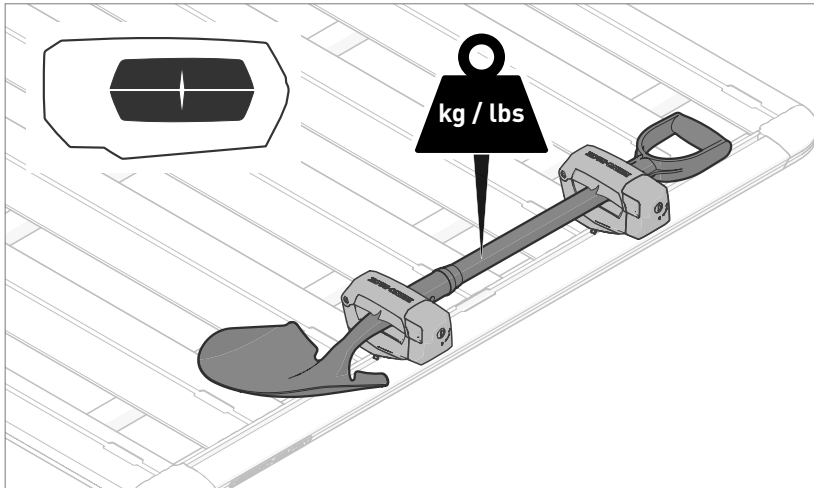
Carrying Capacity

Check the vehicle owners hand book for your vehicle manufacturer’s maximum carrying capacity. Do not exceed the vehicle manufacturer’s maximum roof carrying capacity. The weight of the roof racks, that the accessory is attached to, must also be included in the total vehicle roof load.



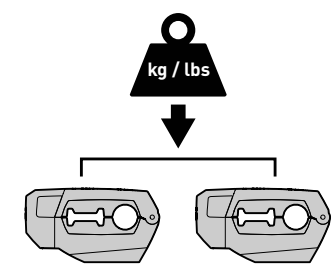
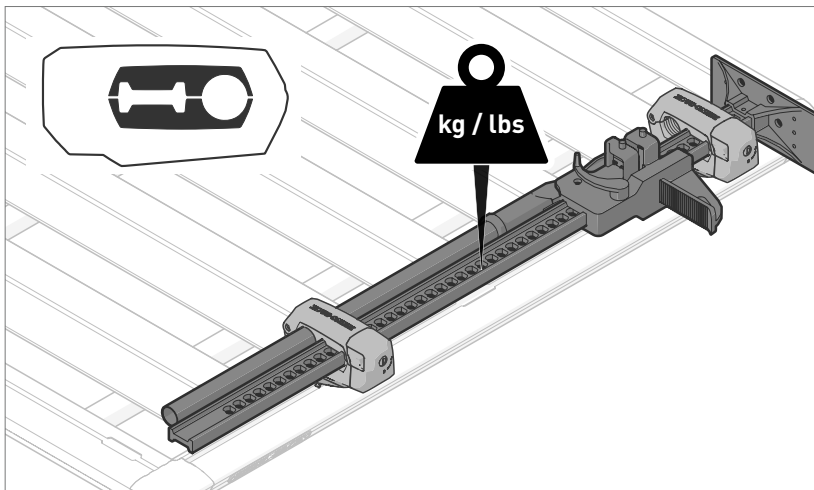
**2.2kg / 4.9lbs
PER PAIR**

UNIVERSAL STOWING LOAD LIMIT:



MAX UNIVERSAL LOAD:
10kg / 22lbs
load limit per bracket pair.

HIGH LIFT JACK LOAD LIMIT:



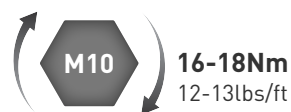
MAX HIGH LIFT JACK LOAD:
15kg / 33lbs
load limit per bracket pair.

In service maintenance checks

- All bolt connections should be checked after driving a short distance when you first install your roof racks.
- All bolted connections should be checked again at regular intervals (weekly is recommended, depending on road conditions, usage, loads and distances travelled).
- All bolted connections should be checked each time they are re-fitted.
- Off-road conditions are more rigorous. Check all bolted connections and your load more regularly.
- Ensure that your vehicle manufacturer’s GVM, and gross axle weights are not exceeded (refer to vehicle owner’s manual).

Torque Settings:

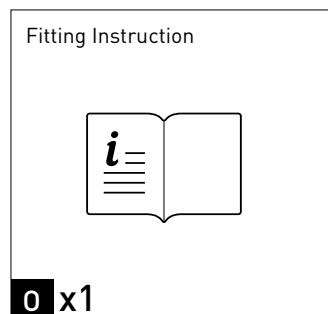
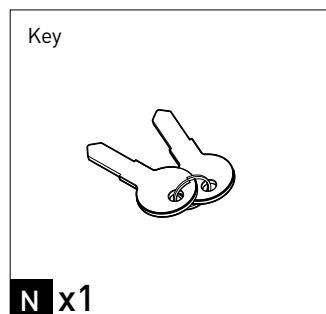
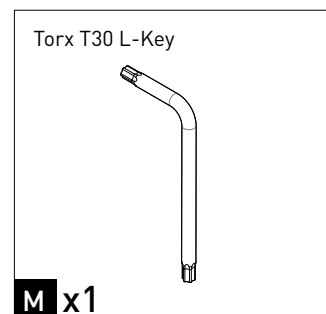
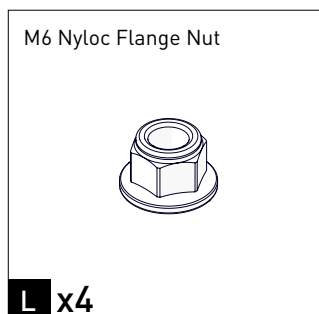
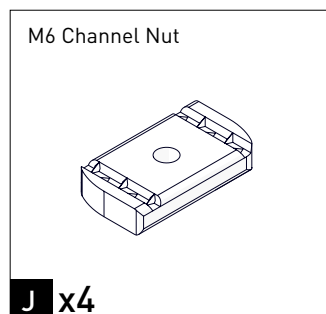
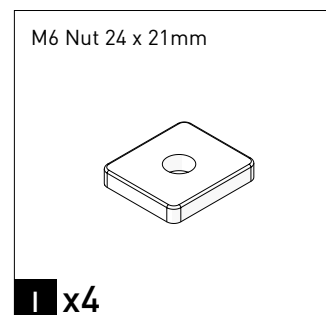
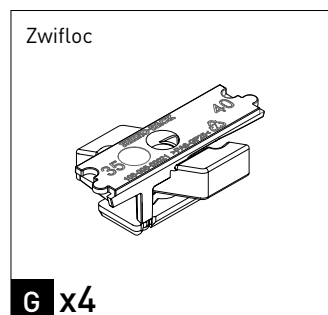
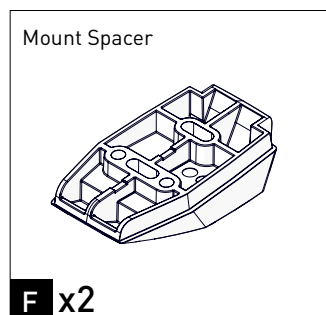
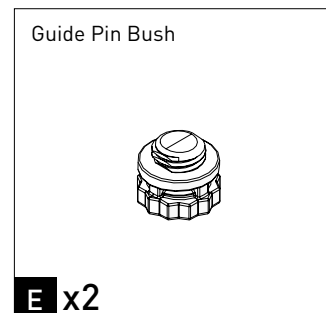
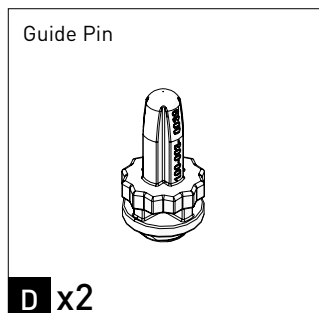
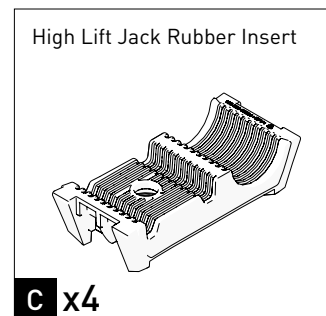
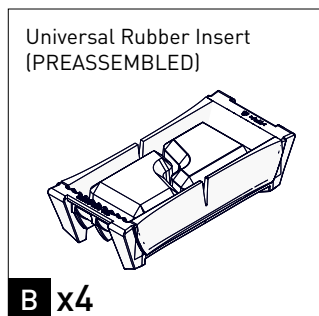
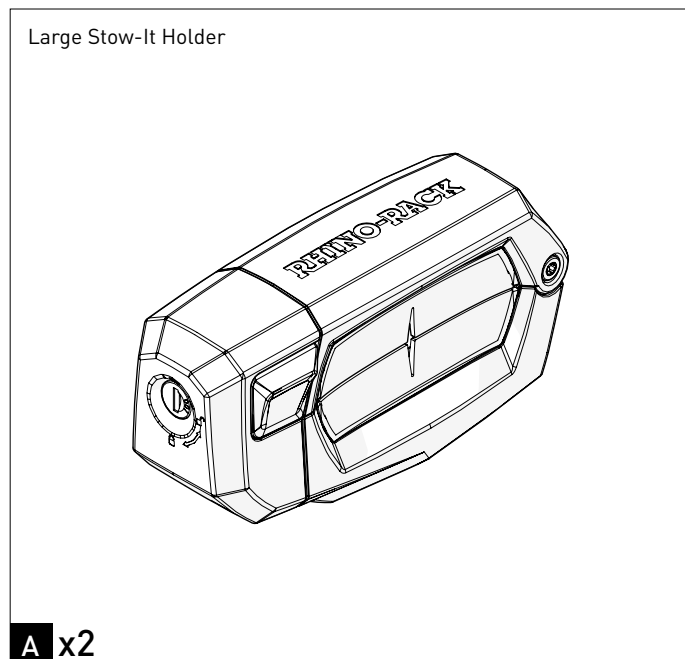
Unless stated otherwise in these instructions, all fasteners should be set to the following torque settings:



Note for Dealers and Fitters

It is your responsibility to ensure these fitting instructions are given to the end user or client. These instructions remain the property of Rhino-Rack Australia Pty. Ltd. and may not be used or changed for any other purpose than intended.

Parts List



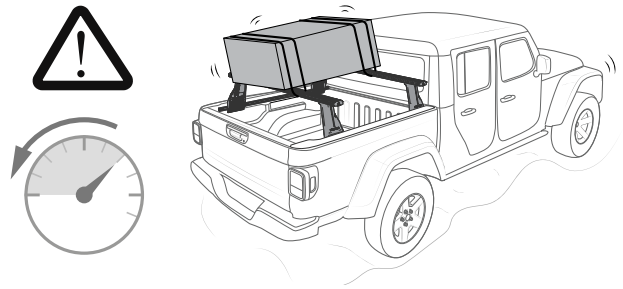
TOOLS REQUIRED:

- T1 - 22mm Ring Spanner (7/8")
- T2 - 10mm Spanner (3/8")
- T3 - Torque Wrench

The handling characteristics of the vehicle changes when a load is transported on the vehicle exterior.

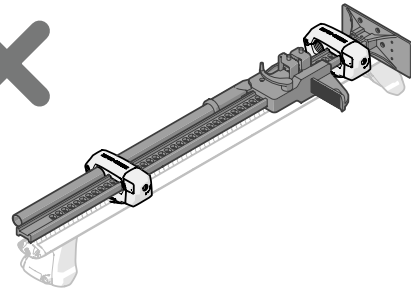
Exercise extreme care when transporting wind-resistant loads. Special consideration must be taken when cornering and braking.

Off-road conditions can be much more rigorous. Extreme care must be taken in off-road conditions.



DO NOT surpass Single Crossbar Load Limits.

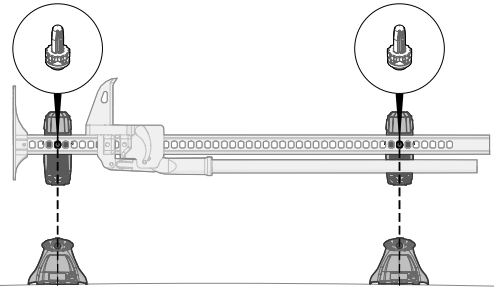
TRANSVERSE mounting High Lift Jacks and other heavy items is recommended on **PLATFORMS** only.



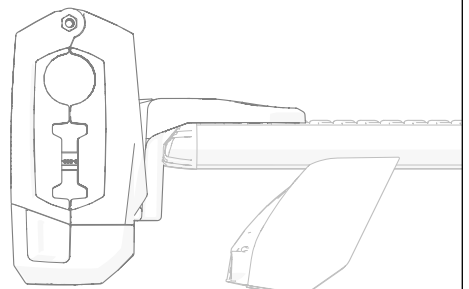
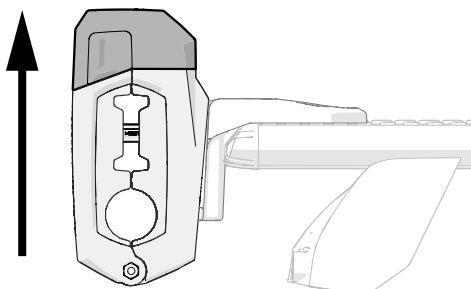
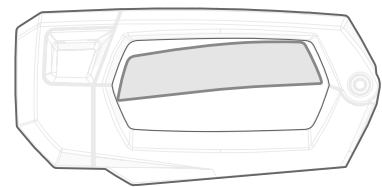
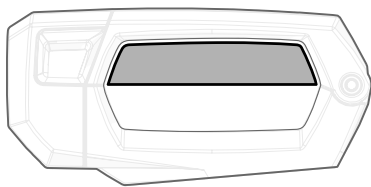
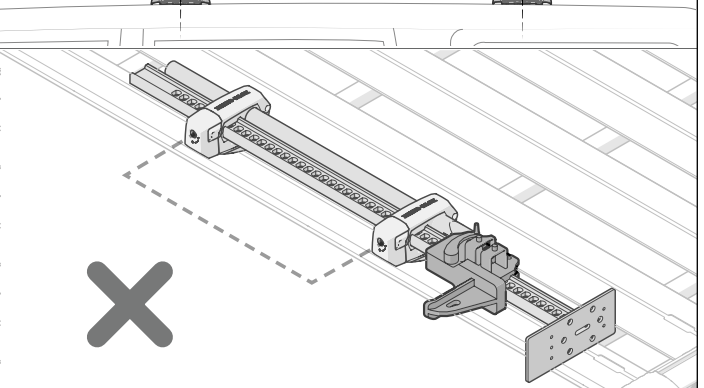
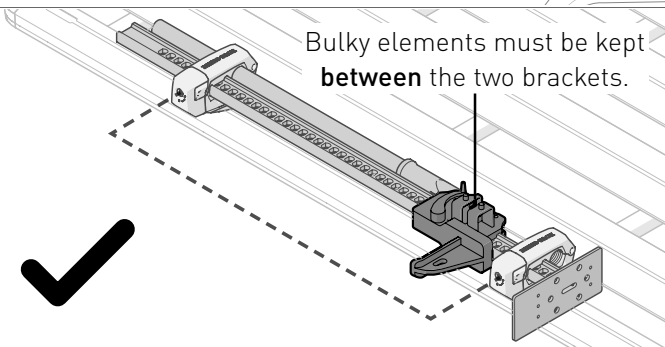
VERTICAL mounting High Lift Jacks may not be viable on some fixed **CROSSBAR** setups.

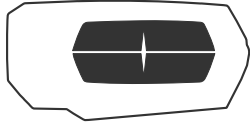
If the centres of the High Lift Jack holes do not align with the centres of the Crossbars, **VERTICAL** fitment is not viable.

Refer to Pg 6 HORIZONTAL mounting.



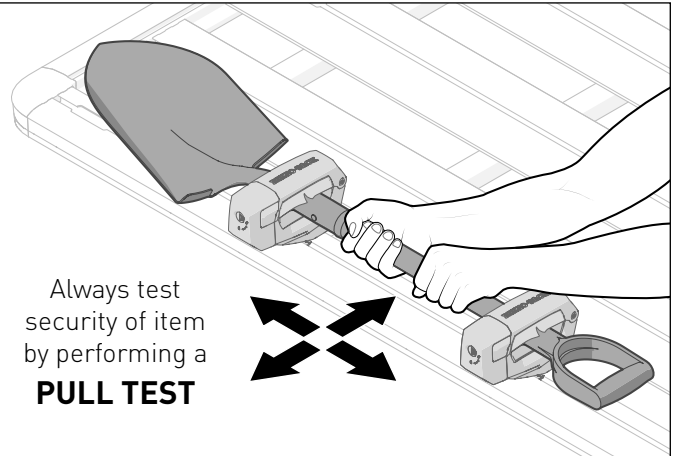
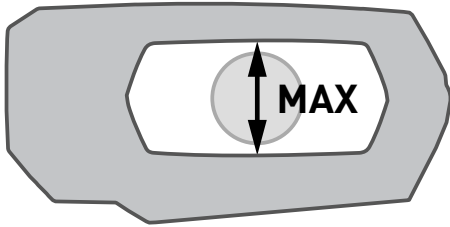
Bulky elements must be kept **between** the two brackets.





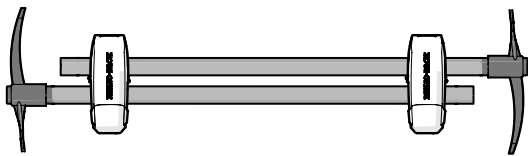
i UNIVERSAL STOWING GUIDELINES:

MAX Accessory width: 48mm / 1⁷/₈"

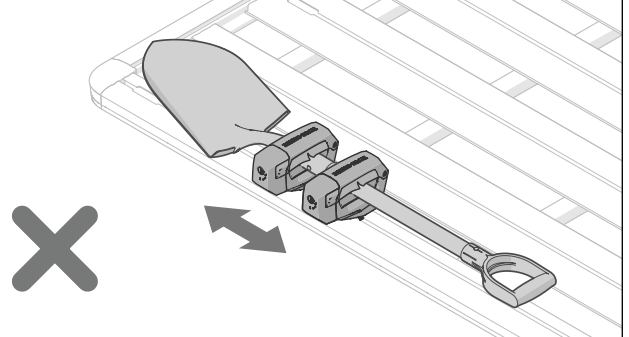
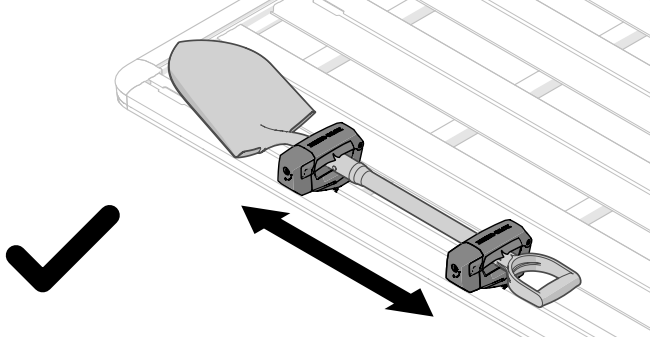
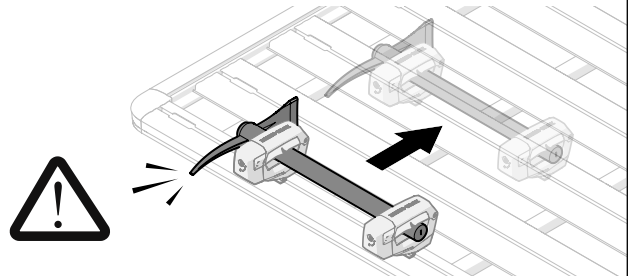


Always test security of item by performing a **PULL TEST**

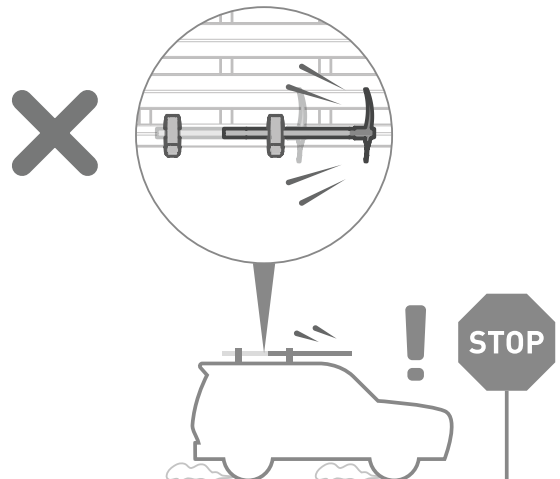
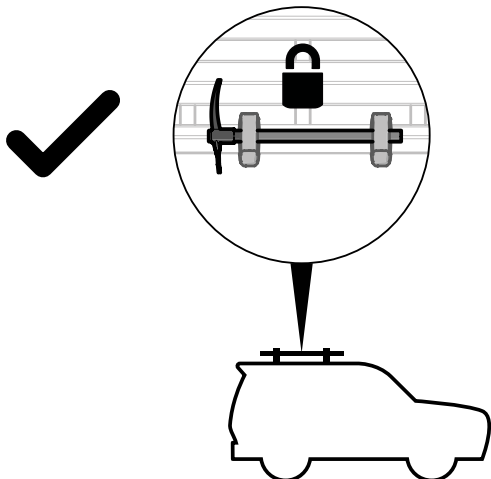
If stowing two items simultaneously, orient in a way that they will not obstruct each other.



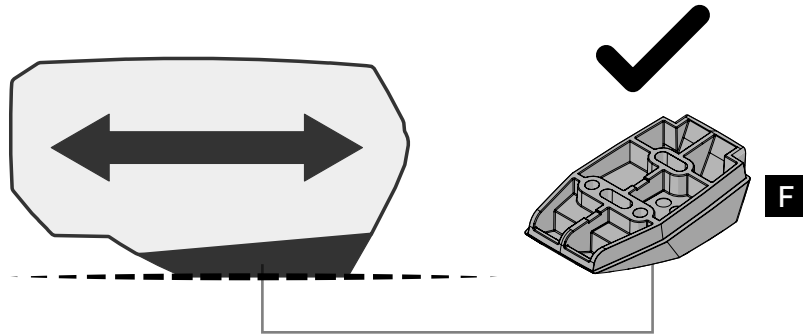
Ensure sharp points do not protrude from vehicle.



Position Pickaxes, Axes, and other top-heavy items with their **largest element** facing the REAR.

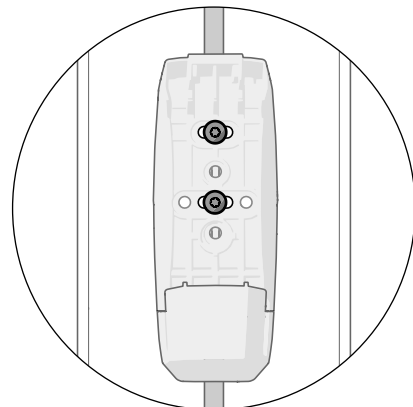
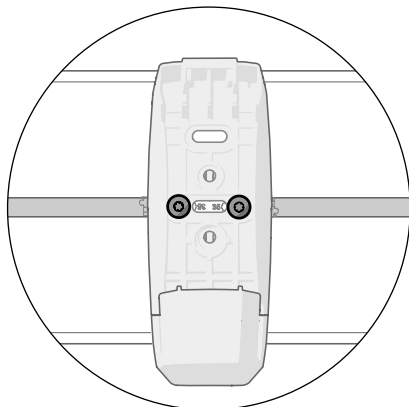
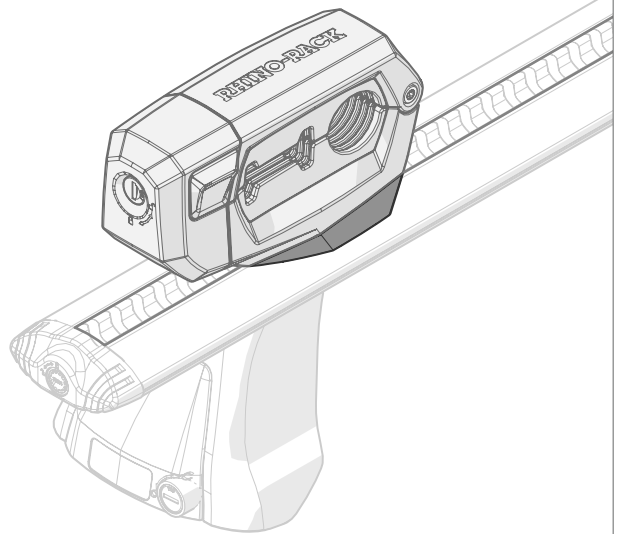
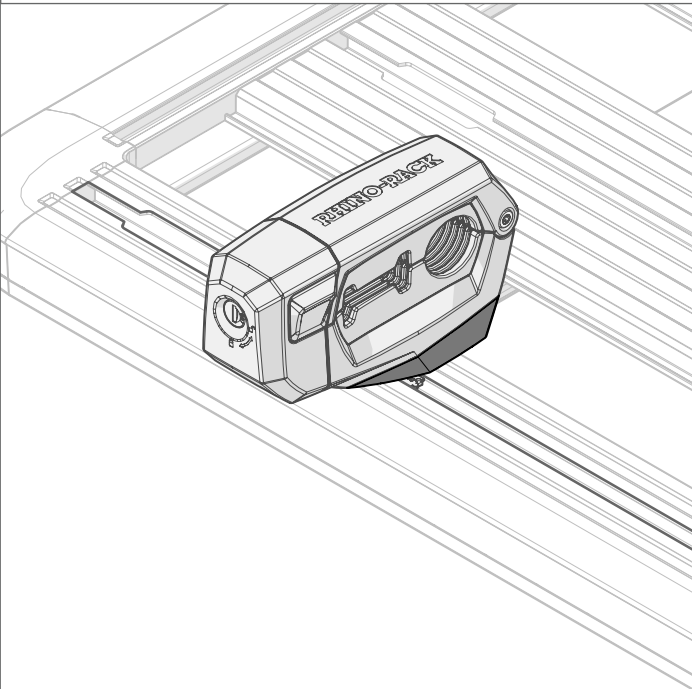


HORIZONTAL MOUNTING

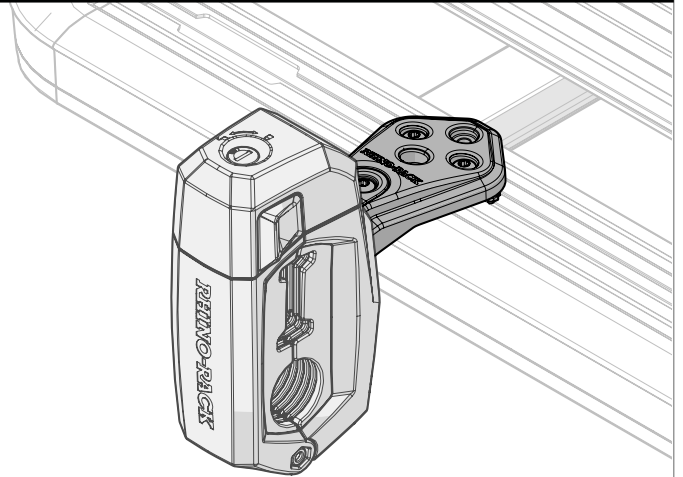
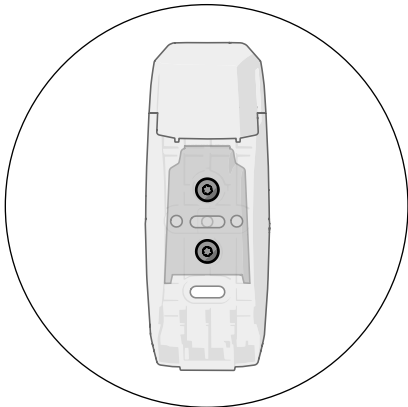
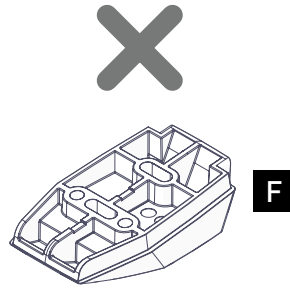
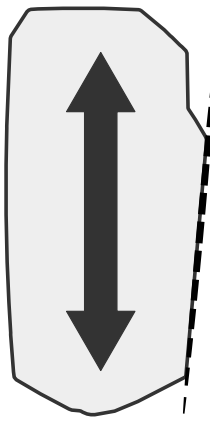


TRANSVERSE

IN-LINE

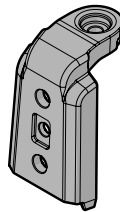


VERTICAL MOUNTING

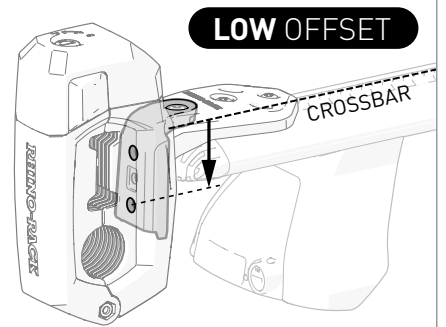


ADDITIONAL REQUIRED:

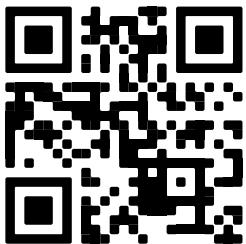
Stow-It
Base Bracket



Standard
Adaptor

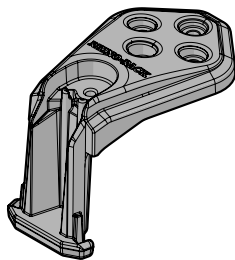


LOW OFFSET

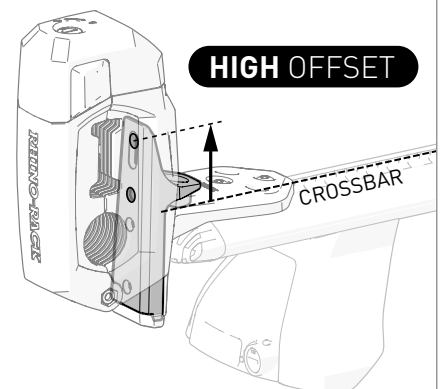
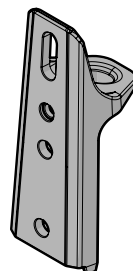


<https://www.rhinorack.com/en-au/stow-it>

+ OR

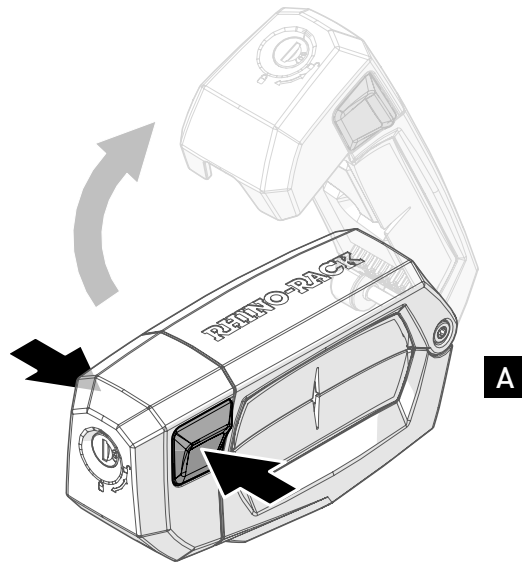


Awning
Adaptor

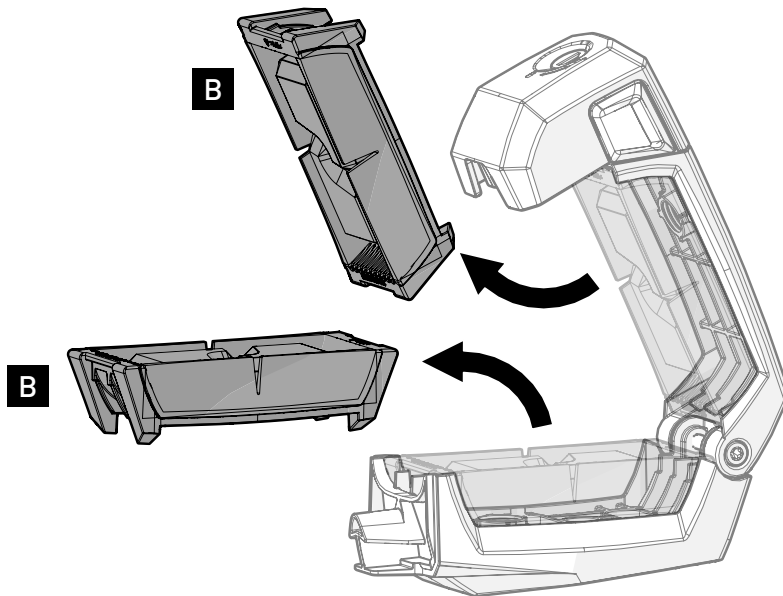


HIGH OFFSET

1

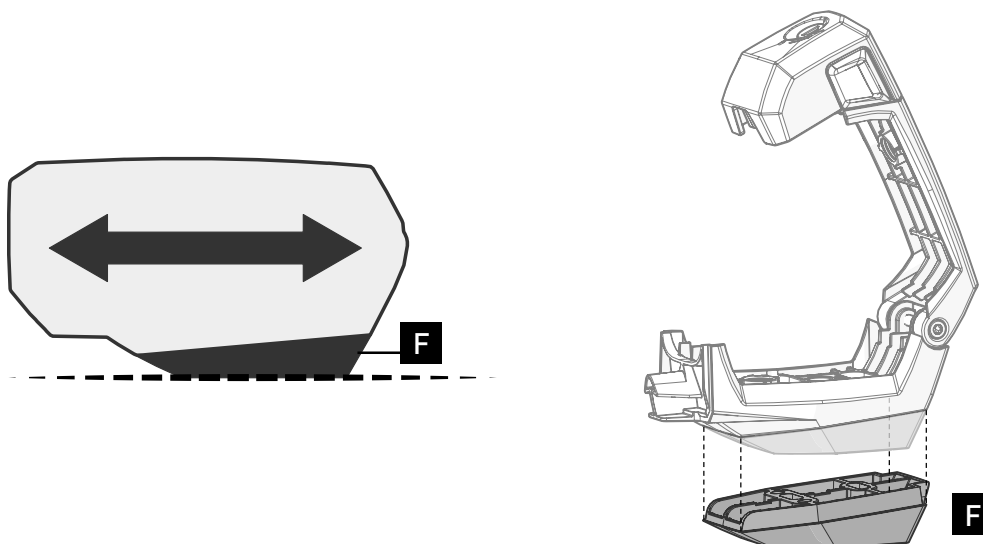


2



FOR HORIZONTAL MOUNTING (For VERTICAL mounting, skip to Step 9)

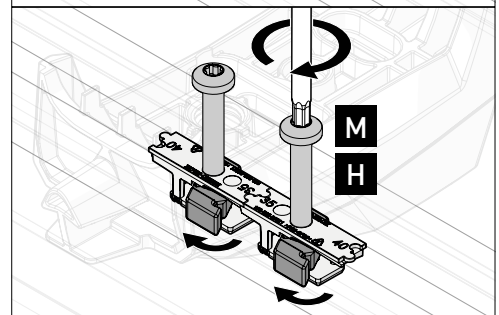
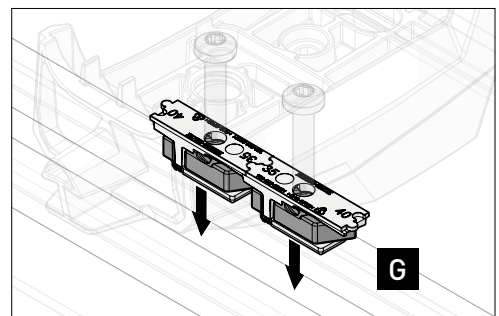
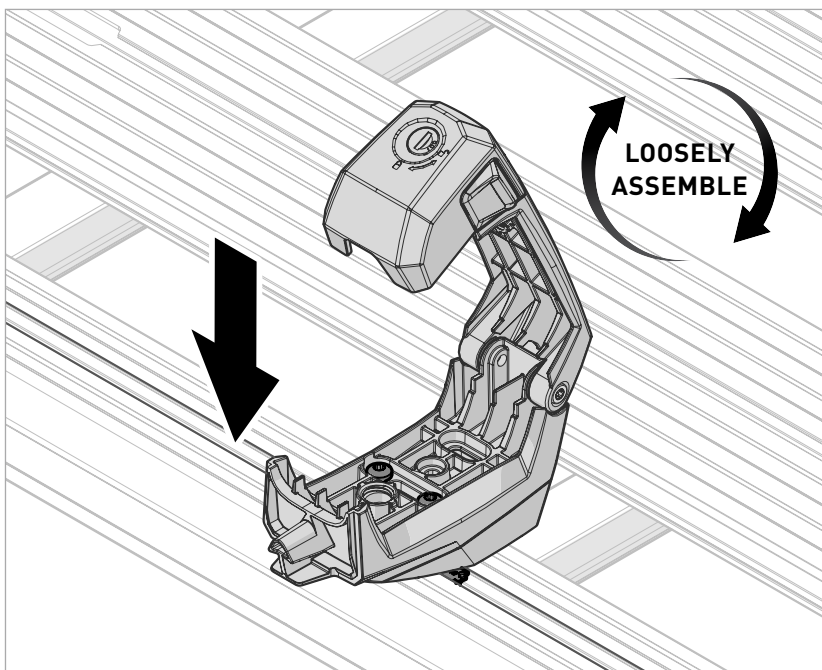
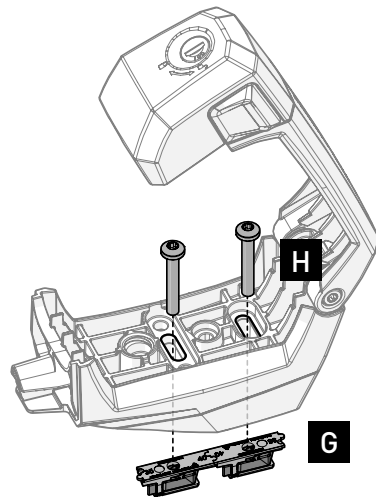
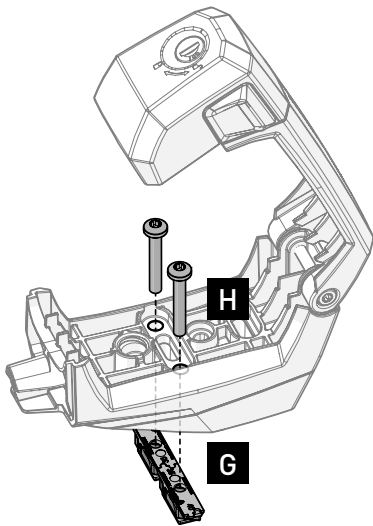
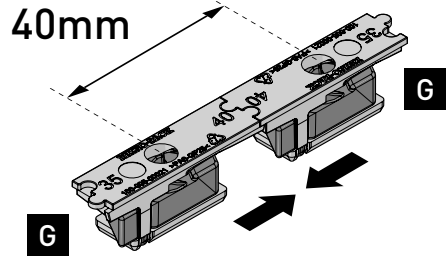
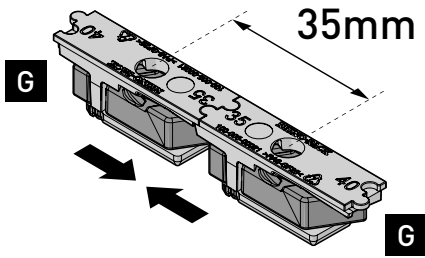
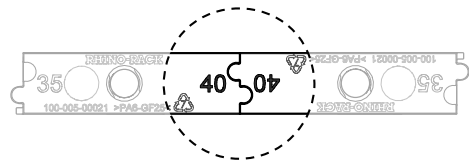
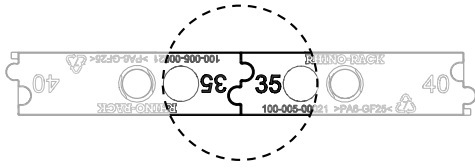
3



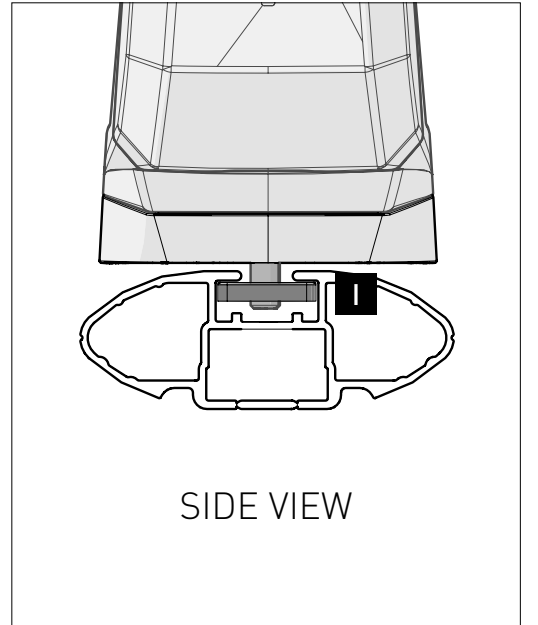
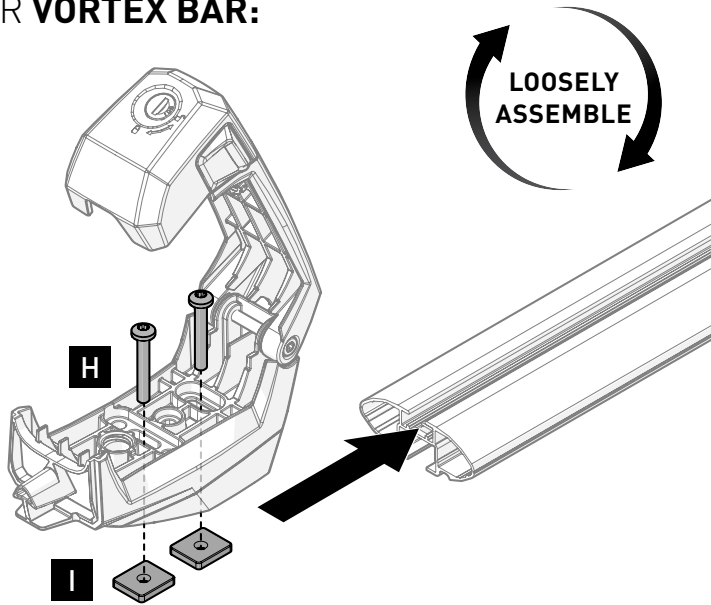
4a FOR PIONEER / RECONN-DECK:

FOR **TRANSVERSE** PLACEMENT
35-35

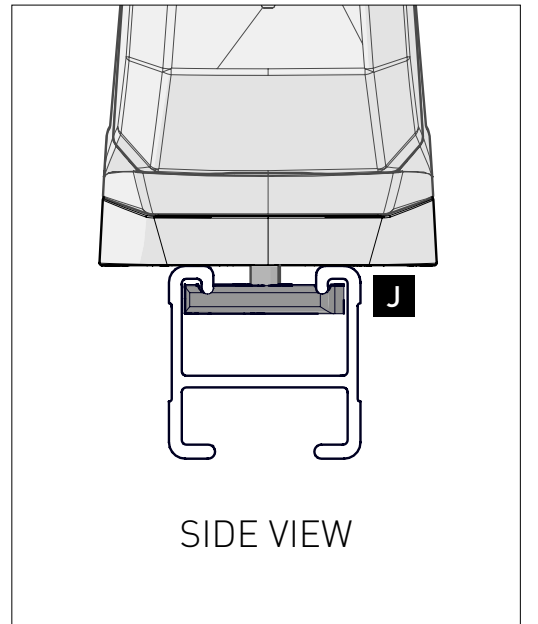
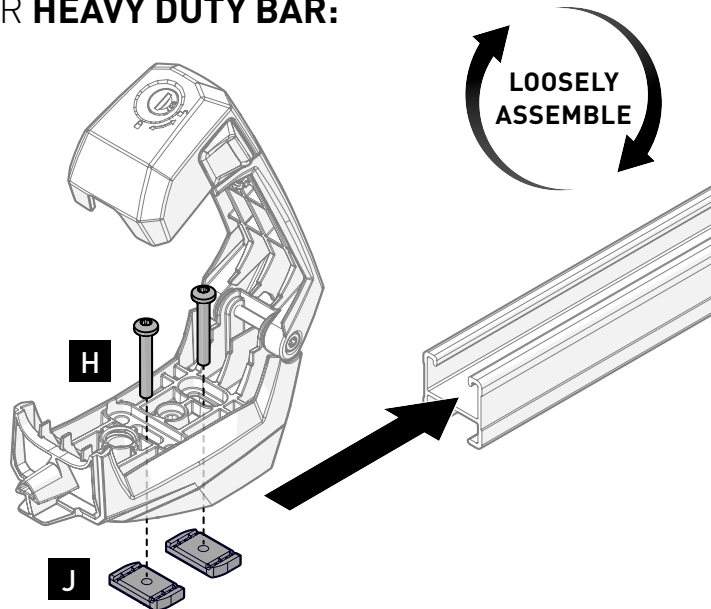
FOR **IN-LINE** PLACEMENT
40-40



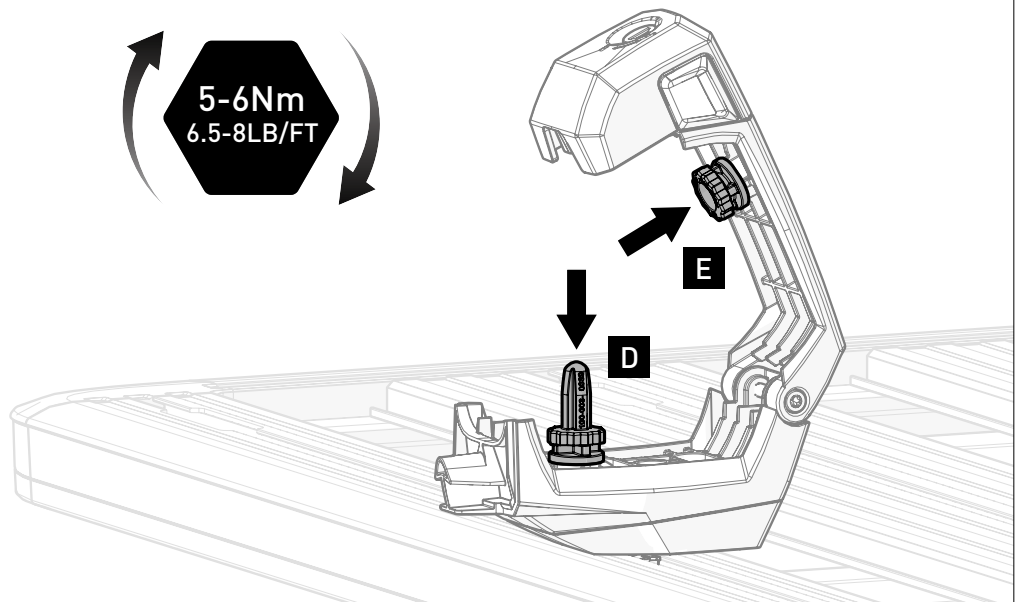
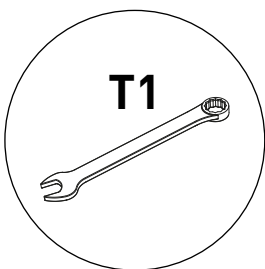
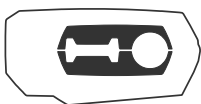
4b FOR VORTEX BAR:



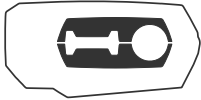
4c FOR HEAVY DUTY BAR:



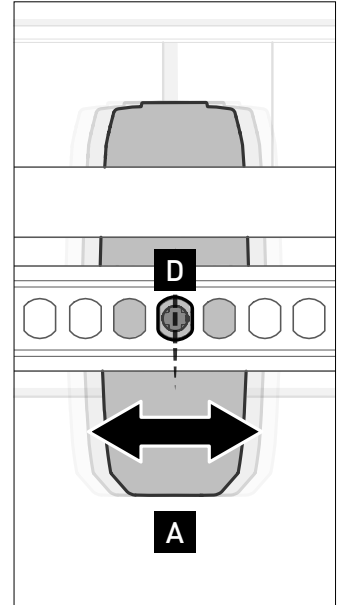
5 HLJ ONLY:



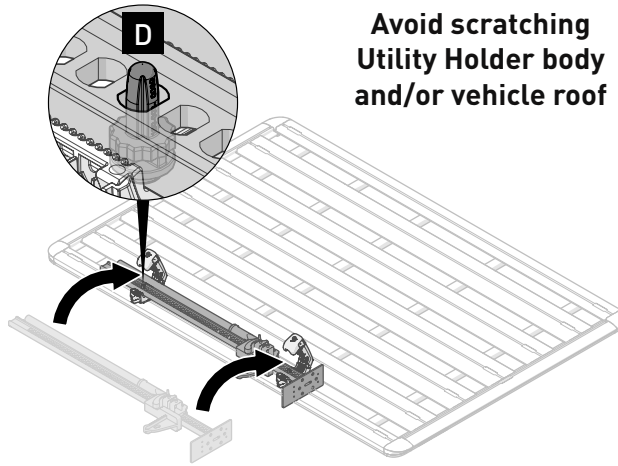
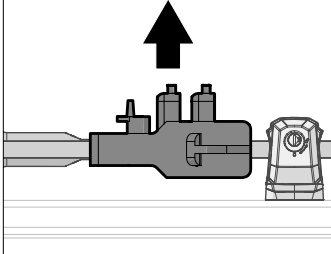
6 HLJ ONLY:



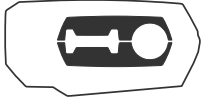
**Avoid scratching
Utility Holder body
and/or vehicle roof**



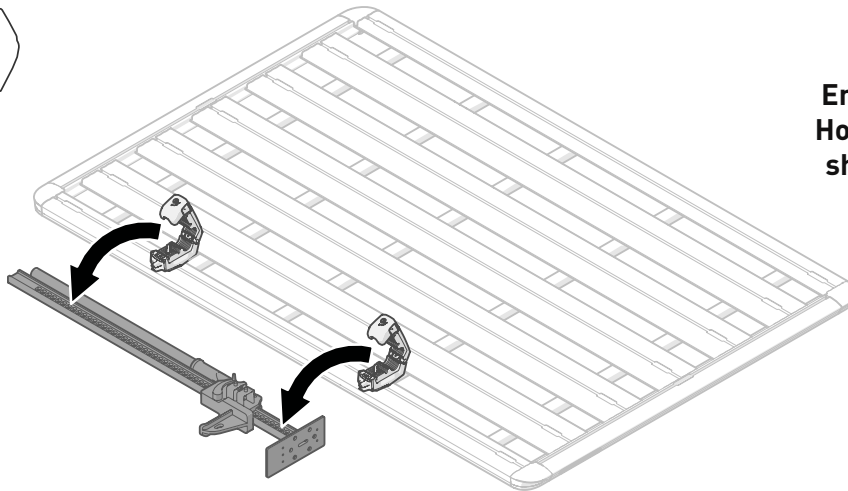
Mechanism must
face **upwards** to avoid
obstructing platform



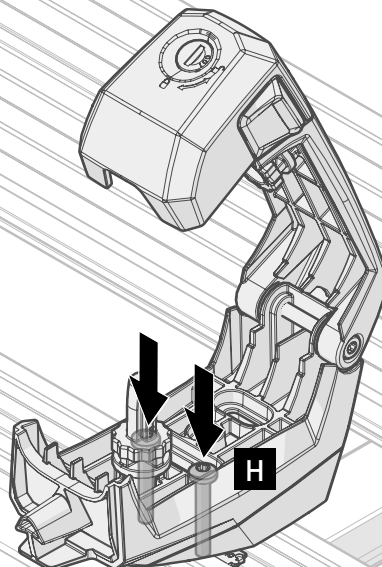
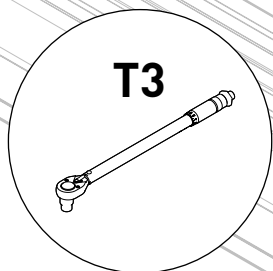
7 HLJ ONLY:



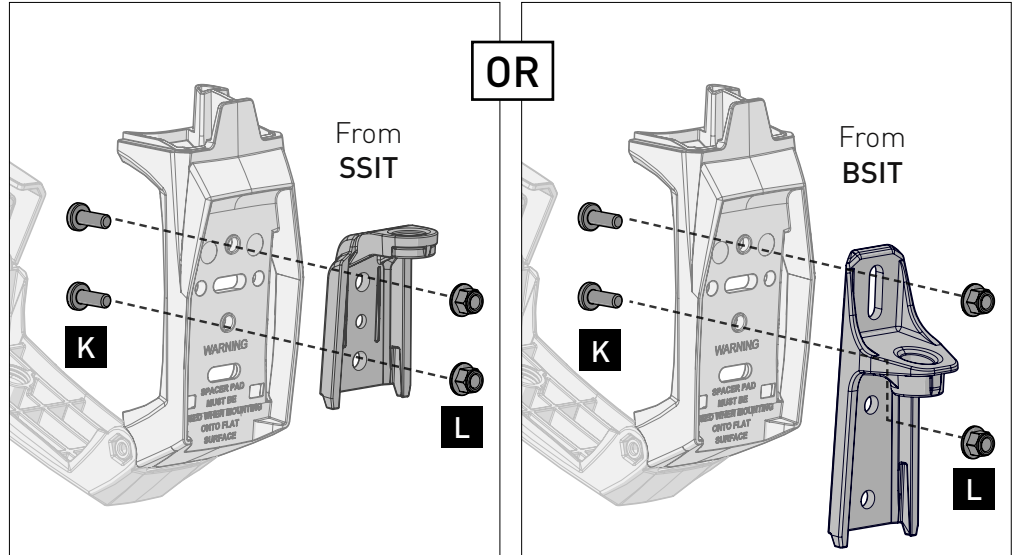
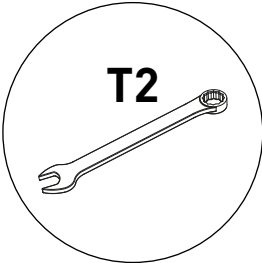
**Ensure Utility
Holders do not
shift position**



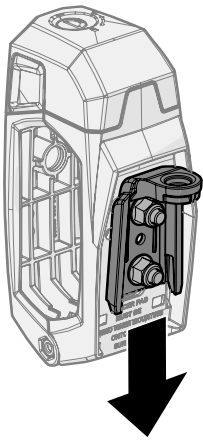
8



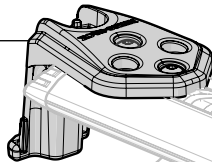
9 FOR VERTICAL MOUNTING (For HORIZONTAL Skip to Step **13**)



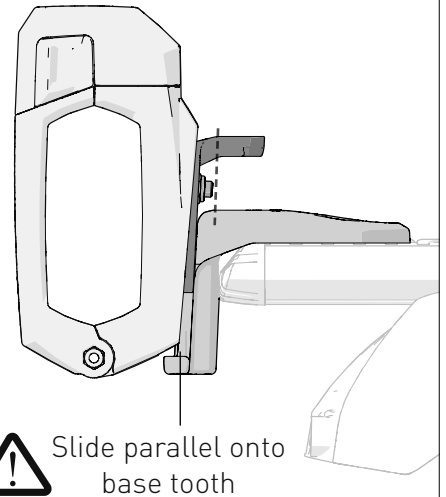
10



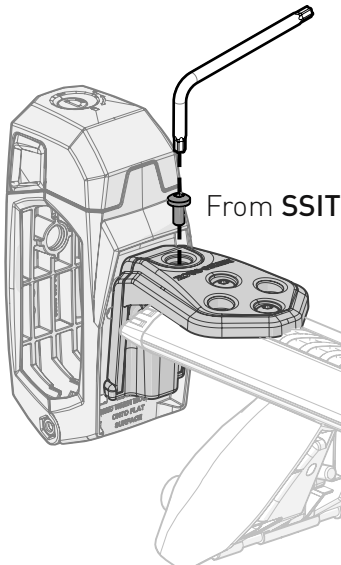
See **SSIT** instruction for installation



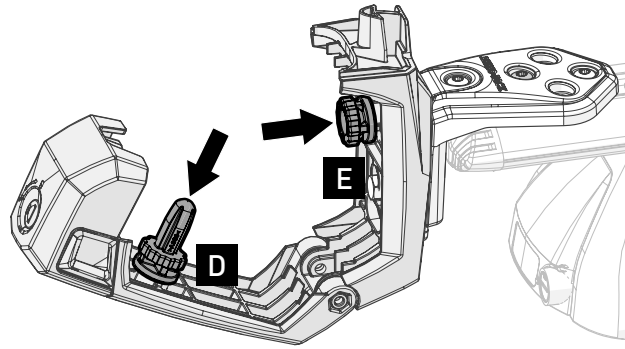
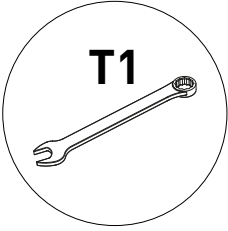
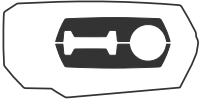
SIDE VIEW



11

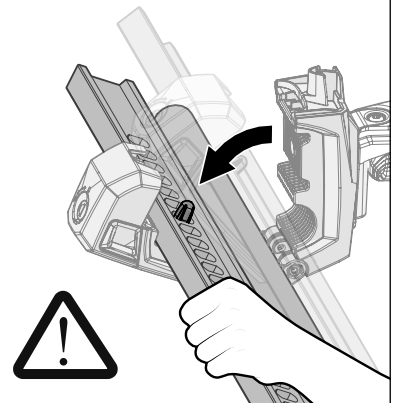


12 HLJ ONLY:

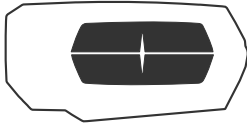


NOTE position of **D** and **E**

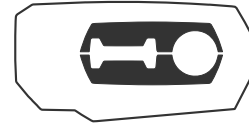
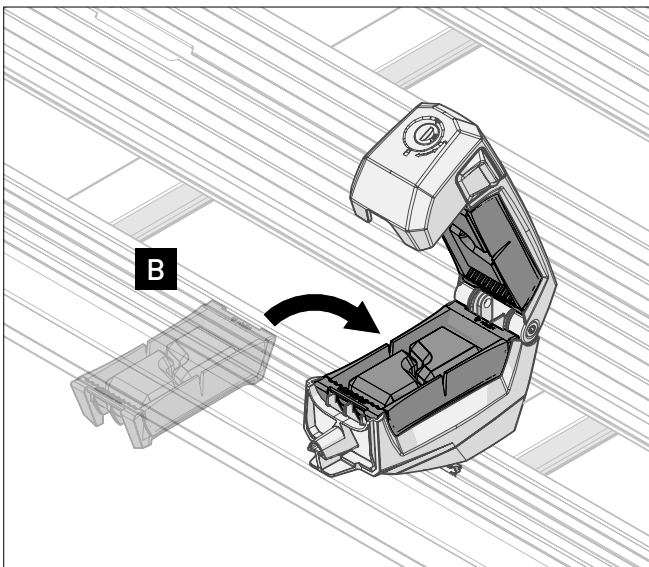
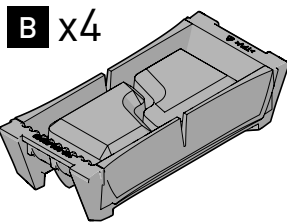
When opening bracket in VERTICAL mount orientation, **support the weight** of the High Lift Jack while lowering bracket arm.



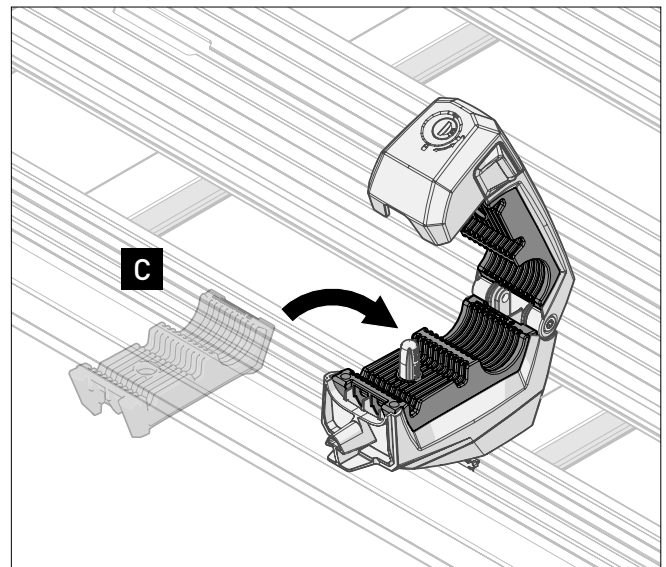
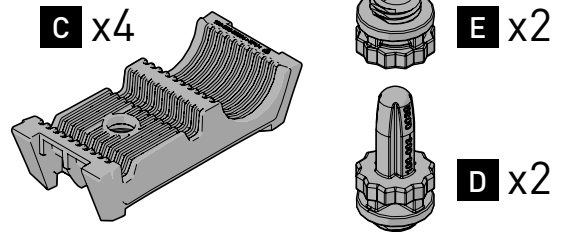
13



UNIVERSAL SET UP:

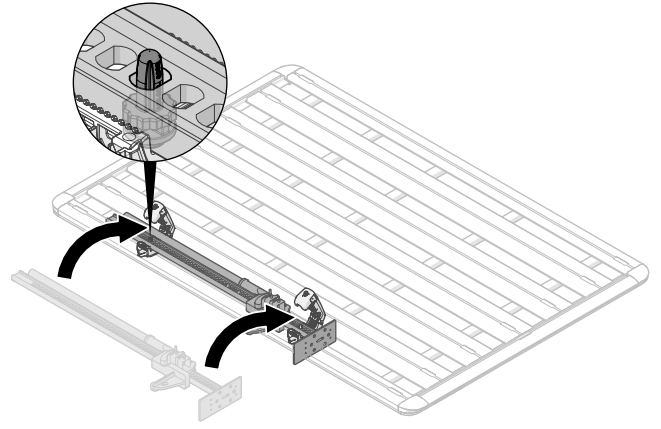
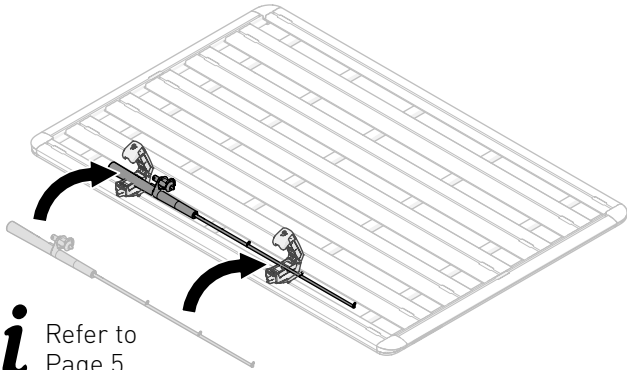
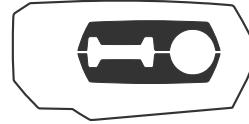
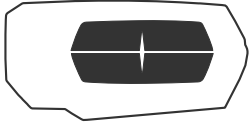


HIGH LIFT JACK SET UP:



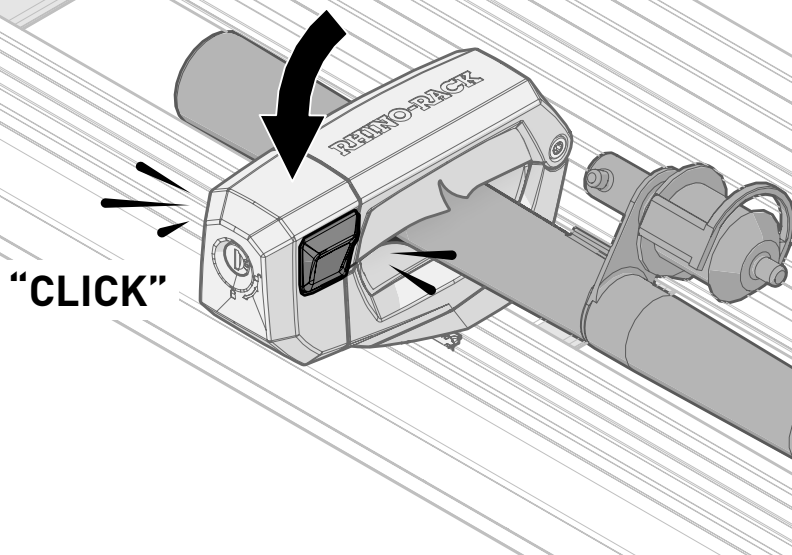
STOWING ITEMS

14



i Refer to Page 5

15



16

N



Check grip with pull test

